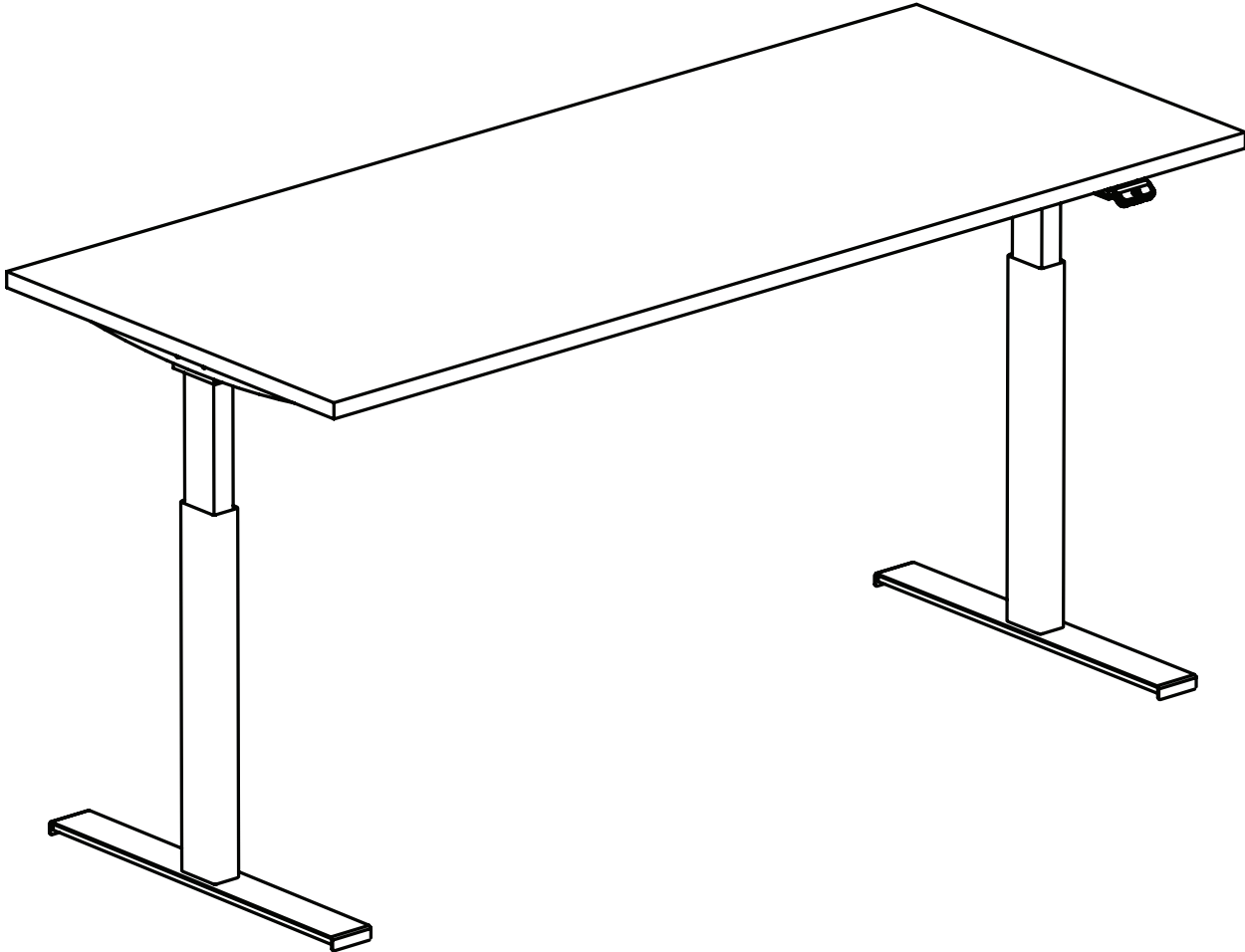


# UPSIDE

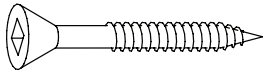
## INSTRUCTIONS



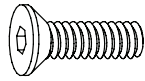
three h

## INCLUDED HARDWARE

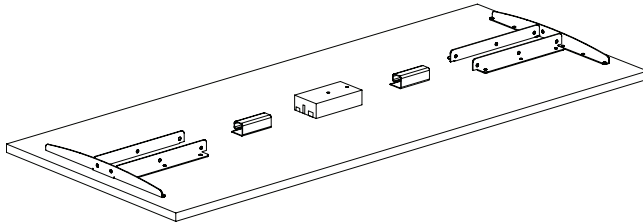
---



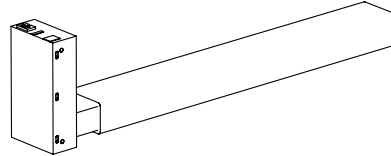
8 x 1<sup>1</sup>/<sub>4</sub>" Screw  
Used on: Controller



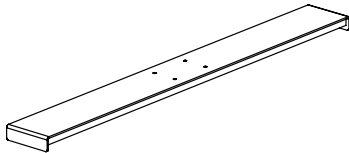
M6 x 16mm  
Used on: Leg Columns & Bases



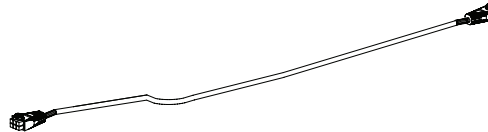
Worksurface



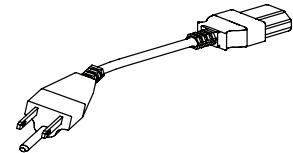
Leg Column



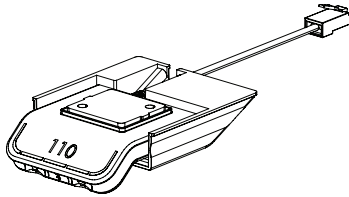
Column Base



Power Feed



Power Supply



Controller



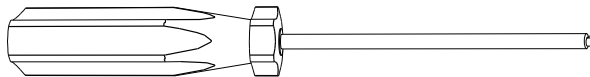
Cable Management

## REQUIRED TOOLS

---



5/32" Allen Wrench  
(Provided)



Roberston Screwdriver

## GETTING STARTED

---

Assemble on a soft surface to avoid scratching the worksurface.

Hardware & tools required may vary depending on the UpSide™ specifics.  
The following instructions do not specify the amount of hardware included.  
Due to variations in design, a separate hardware list will be provided.

### **DISCLAIMERS!**

- Product that is damaged by the end user due to misuse, accident, abuse, negligence or shipping is not covered under Three H warranty.
- Use tools and hardware mentioned above to avoid any product faults.
- It is best to assemble our furniture with 2 or more persons.
- If you believe you are missing pieces, please contact [replacements@three-h.com](mailto:replacements@three-h.com)



## **RESETTING DESK HEIGHT**

### **Linak Desk Control App**

Please download the Linak App to reset your desk height.

- Measure from the floor to the top of the worksurface at it's lowest height.
- Write the height down

In the Linak App:

- Click More > Set Desk Height
- Input the height you marked down

### **Manual**

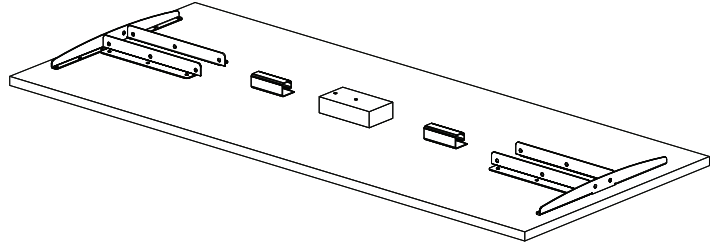
Follow the instructions using the link below to reset your desk height manually.

- [www.linak-us.com/segments/deskline/start/dpg1c/](http://www.linak-us.com/segments/deskline/start/dpg1c/)

## STEP 1

Place the worksurface face down on a soft, clean surface.

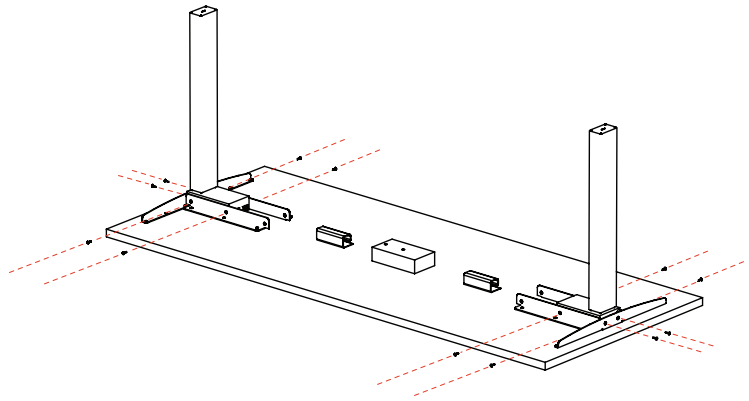
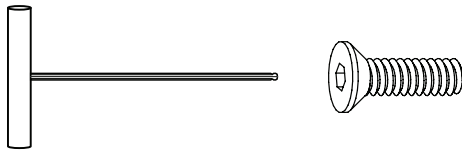
The worksurface is shipped with some pre-assembled hardware components.



## STEP 2

### Install the Leg Columns

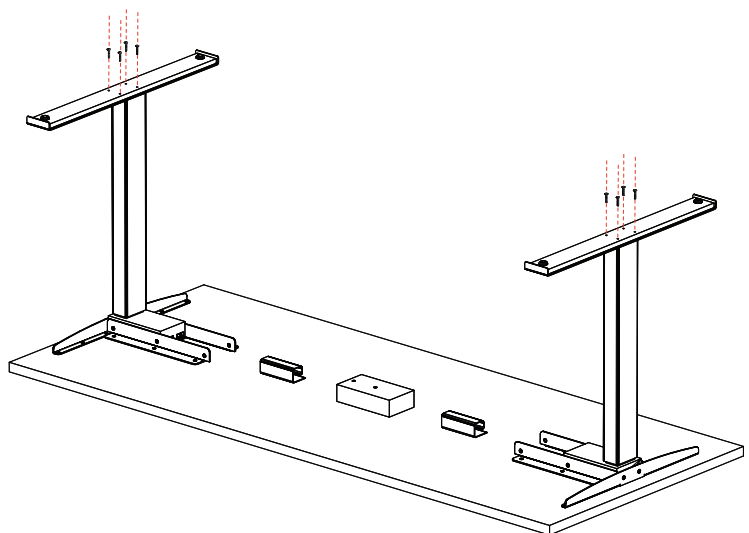
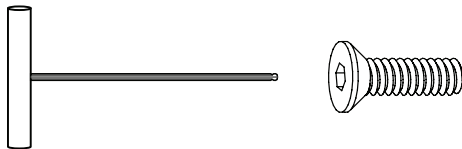
Place the Leg Columns between the pre-assembled brackets. Fasten each column using six M6 x 16mm screws.



## STEP 3

### Install the Leg Column Bases

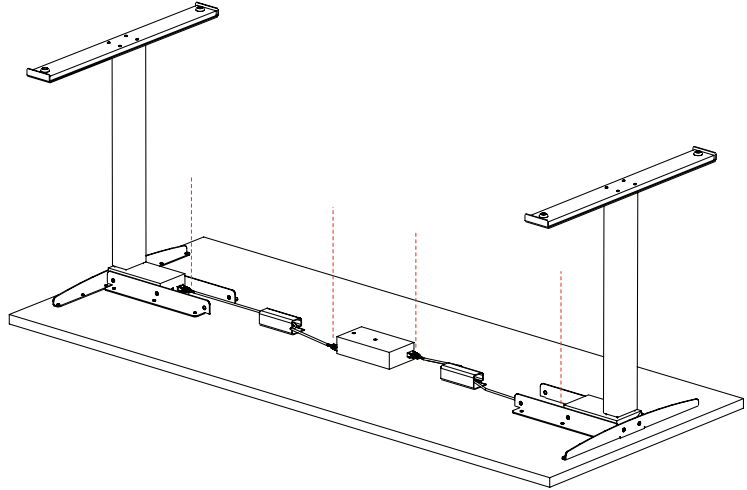
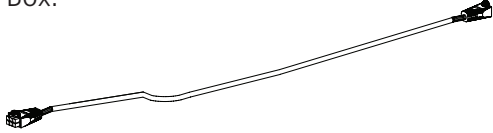
Line up the pre-drilled holes on the Column Base to Leg Column and fasten each base using four M6 x 16mm screws.



## STEP 4

### Connect Power Feeds

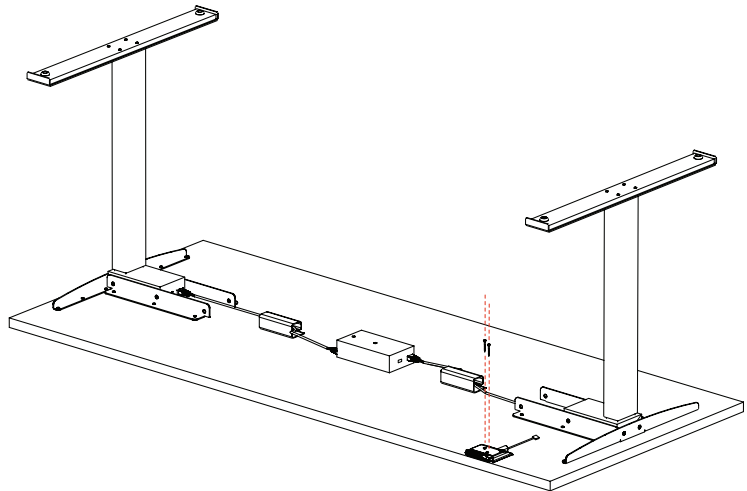
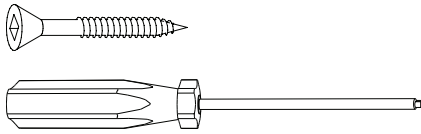
Plug the Power Feeds in from each Leg Column to main Power Supply Box.



## STEP 5

### Mount the Controller

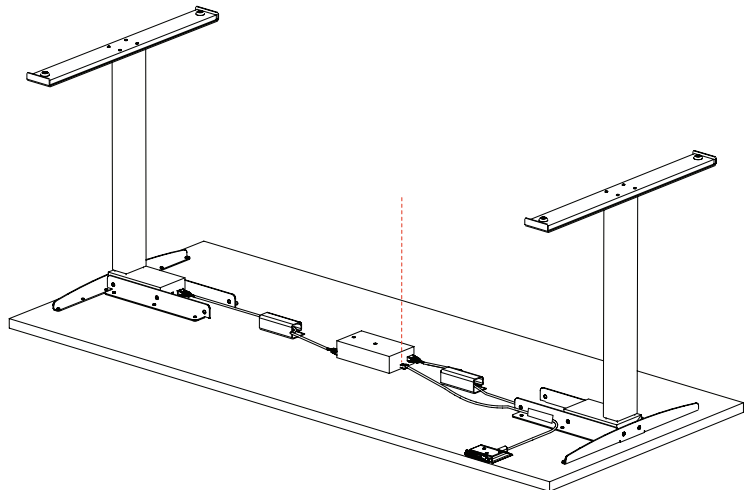
Locate the pre-drilled holes and mount the Controller using two 8 x 1<sup>1</sup>/<sub>4</sub>" Screws.



## STEP 6

### Plug in the Controller

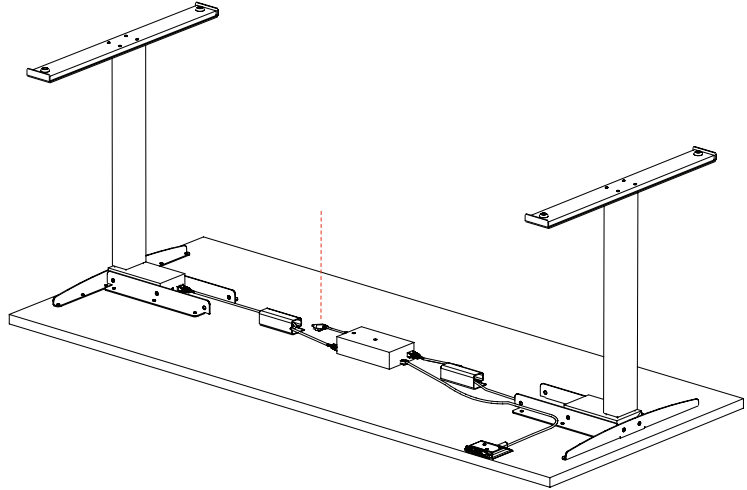
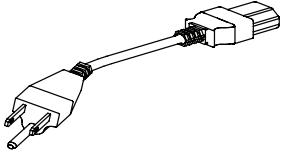
Plug the Controller in to the main power supply box.



## **STEP 7**

### **Connect Main Power Supply**

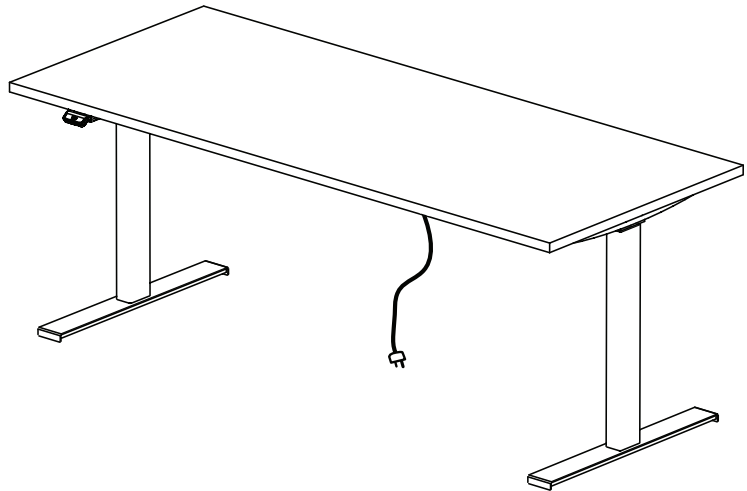
Plug the main power supply into the supply box. Keep the wire tied in the twist tie until the next step.



## **STEP 8**

### **Flip The Desk**

Flip the desk and plug the main power source in.



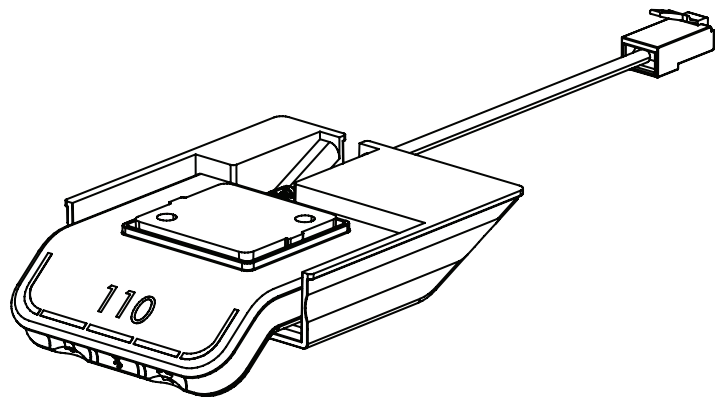
## **STEP 9**

### **Controller Start Up**



Please scan the QR code or use this link:  
<https://bit.ly/2Fgmsjk>

This PDF from Linak will describe how to initialize the controller and other safety precautions.



## Important information

Important information on LINAK® products can be found under the following headings:



### Warning!

Failure to comply with these instructions may result in accidents involving serious personal injury.



Failing to follow these instructions can result in the product being damaged or being destroyed.

---

## Safety instruction

### General

Safe use of the system is possible only when the operating instructions are read completely and the instructions contained are strictly observed.

Failure to comply with instructions marked with the "NOTE" symbol may result in serious damage to the system or one of its components.



It is important for everyone who is to connect, install, or use the systems to have the necessary information and access to this User Manual. Follow the instructions for mounting – risk of injury if these instructions are not followed.



The appliance is not intended for use by young children or infirm persons without supervision.



If there is visible damage on the product it must not be installed.



Note that during construction of applications, in which the actuator is to be fitted, there must be no possibility of personal injury, for example the squeezing of fingers or arms.



Assure free space for movement of application in both directions to avoid blockade.

**Three H Furniture Systems Limited**

156462 Clover Valley Rd.  
New Liskeard, ON  
Canada POJ 1P0

T. 1.800.767.5374  
F. 1.888.484.5786

customer.service@three-h.com  
www.three-h.com



Revision 3 - January 6 2020